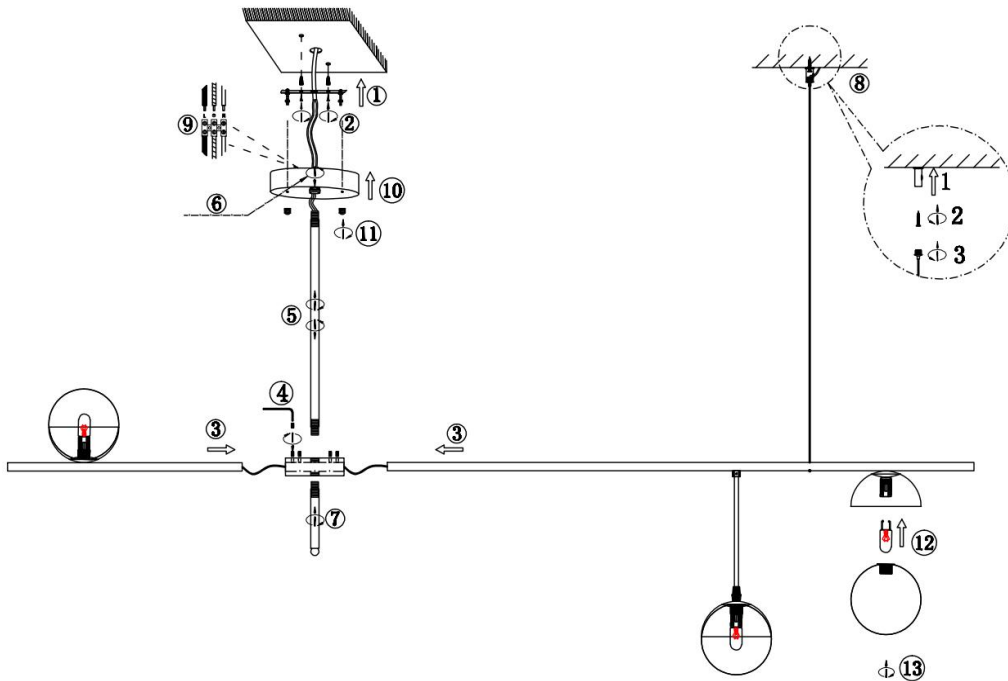


Model YL002644



Safety Instructions:

- * These instructions are provided for your safety. It is very important that they are read completely before beginning the installation of your fixture.
- * WE STRONGLY RECOMMEND INSTALLATION BY A LICENSED ELECTRICIAN.

Assembly Instructions

- *SHUT OFF THE MAIN ELECTRICAL SUPPLY FROM THE MAIN FUSE BOX BREAKER.
 - 1. Mark the position of the mounting plate's holes on your ceiling. Drill the holes for plastic anchors. Install provided plastic anchors into the holes you've just drilled. Mount the plate with the screws provided.
 - 2. Fix two horizontal branch rods into metal connector and lock them with screws. Fix the lower short rod into metal connector and the upper long vertical rod into metal connector and canopy.
 - 3. Affix steel fixing device to ceiling and screw up the steel wire.
 - 4. Lift fixture to ceiling and make electrical connections. Connect BLACK/BROWN (L) wire to the LIVE wire from power supply; WHITE/BLUE (N) wire to the NEUTRAL wire from power supply.
 - 5. Slide canopy over mounting plate and lock tight with ball nuts.
 - 6. Put G9 bulbs on socket and screw globe shades to the lamp.
- * If you have any questions or any missing part, please do not hesitate to contact us.
 - * To clean, wipe surfaces with a soft cloth. Do not use chemical or abrasive cleaners.